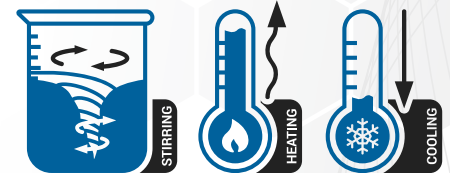




## 20L COOLING BATHS

Model: 175



## FEATURES

- Offer a versatile solution where a low temperature medium is required
- The insulated bath can be used for experimentation or the medium can be externally pumped to other equipment
- The latter process is often used in digestion research or testing
- Electronic P.I.D temperature control with digital indication of set and process value
- High accuracy PT 100 temperature sensor
- 20L Capacity
- Solid state control relay for optimum reliability and rapid response
- Powerful internal pump for circulation in the bath or externally. Capacity 6L /min @ 1M head
- Temperature range ambient -20°C to +100°C
- Removable lid
- Reliable refrigeration system with high quality compressor and components
- Grade 304 stainless steel tank
- Temperature Variation at a point:  $\pm 0.5^{\circ}\text{C}$
- Fitted with castors

### NOTE

- All performance specifications assume an ambient temperature of 25°C



ALL SCIENTIFIC EQUIPMENT COMES WITH A TWO YEAR WARRANTY ON COMPONENTS AND DEFECTIVE WORKMANSHIP - Ts & Cs APPLY.

[www.scientific.co.za](http://www.scientific.co.za)

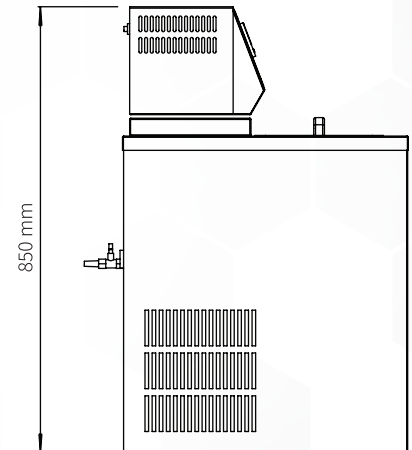
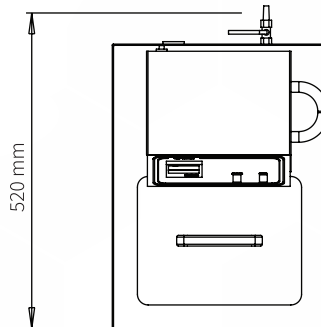
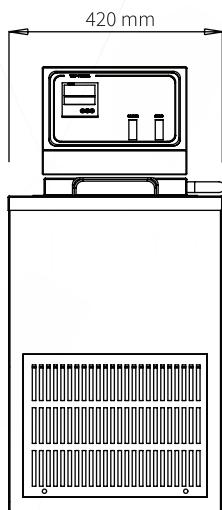


## 20L COOLING BATHS

Model: 175

## SPECIFICATIONS

POWER	1500W
VOLTAGE	230V / 50Hz
PACKAGING (W x D x H)	570 x 600 x 870 (mm)
UNIT (W x D x H)	420 x 520 x 850 (mm)
NET WEIGHT	37kg
GROSS WEIGHT	40kg
SHIPPING VOLUME	0.25m <sup>3</sup>
TANK DIMENSIONS	300 x 360 x 180 (mm)
OPENING DIMENSIONS	300 x 210 (mm)
TANK VOLUME	20ℓ



### NOTE

- When viewing the appliance from the front in its usual operating position, the width (W) of the product is the total distance from left to right; the depth (D) of the product is the total distance from the front to the back; the height (H) is the total distance from the bottom of the product to the top. Pictures may vary from actual product.

### DISCLAIMER

- Output performance figures quoted are dependant on various factors. Scientific reserves the right, without notice, to make changes and revisions to product specifications, materials and design, when we believe it will provide better performance, durability, and efficiency. Unit measurements may vary depending on point of reference.

### WARRANTY

- All Scientific equipment comes with a standard ONE year warranty, The 1 Year Extended Warranty is only valid for customers who have registered their warranty online at [www.scientific.co.za](http://www.scientific.co.za) within the first year after making their purchase.