

## ORBITAL SHAKER

Model: 261



## FEATURES

- The Scientific orbital shakers create a shaking motion ideal for mixing liquids in flasks and conducive to culturing cells
- A full range of accessories are available for all clamping requirements
- The robust, functional design ensures reliable trouble free operation
- Micro processor based speed control for high stability with digital indication of 10 - 250 RPM
- 120 minute timer with infinity override position for continuous operation
- Loose rubber mat fitted to platform
- Counterbalanced drive system ensures smooth running under all loads
- 8kg load capacity

### NOTE

- Flask holding clamps available as accessories
- Supplied with platform and 4 adjustable clamping bars
- Pre tapped positioning holes for easy installation of flask clamps on platform



ALL SCIENTIFIC EQUIPMENT COMES WITH A TWO YEAR WARRANTY ON COMPONENTS AND DEFECTIVE WORKMANSHIP - Ts & Cs APPLY.

[www.scientific.co.za](http://www.scientific.co.za)



## ORBITAL SHAKER

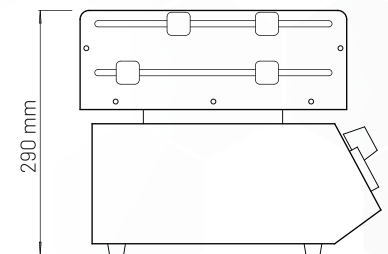
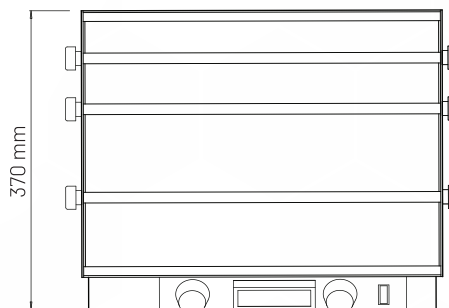
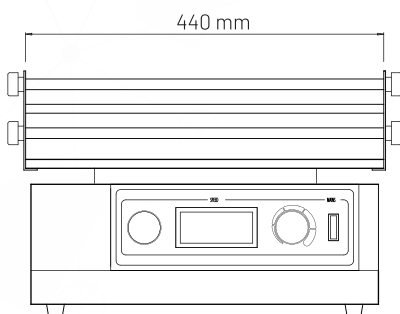
Model: 261

### SPECIFICATIONS

POWER	100W
VOLTAGE	230V / 50Hz
PACKAGING (W x D x H)	475 x 395 x 250 (mm)
UNIT (W x D x H)	440 x 370 x 290 (mm)
NET WEIGHT	14kg
GROSS WEIGHT	16kg
SHIPPING VOLUME	0.05m <sup>3</sup>
PLATFORM DIMENSIONS	400 x 300 (mm)
STROKE	25mm
RPM	10 - 250
LOAD CAPACITY	8kg

### OPTIONAL EXTRAS

CODE	DESCRIPTION
261A	Shaker Bar
267A	Double Platform
269A	50ml Flask Clamp (Capacity 30)
269B	125ml Flask Clamp (Capacity 30)
269C	250ml Flask Clamp (Capacity 20)
269D	500ml Flask Clamp (Capacity 10)
269E	1000ml Flask Clamp (Capacity 4)
269F	2000ml Flask Clamp (Capacity 2)



#### NOTE

- When viewing the appliance from the front in its usual operating position, the width (W) of the product is the total distance from left to right; the depth (D) of the product is the total distance from the front to the back; the height (H) is the total distance from the bottom of the product to the top. Pictures may vary from actual product.

#### DISCLAIMER

- Output performance figures quoted are dependent on various factors. Scientific reserves the right, without notice, to make changes and revisions to product specifications, materials and design, when we believe it will provide better performance, durability, and efficiency. Unit measurements may vary depending on point of reference.

#### WARRANTY

- All Scientific equipment comes with a standard ONE year warranty, The 1 Year Extended Warranty is only valid for customers who have registered their warranty online at [www.scientific.co.za](http://www.scientific.co.za) within the first year after making their purchase.



ALL SCIENTIFIC EQUIPMENT COMES WITH A TWO  
YEAR WARRANTY ON COMPONENTS AND  
DEFECTIVE WORKMANSHIP - Ts & Cs APPLY.

[www.scientific.co.za](http://www.scientific.co.za)

Published Date: 2020.09.25