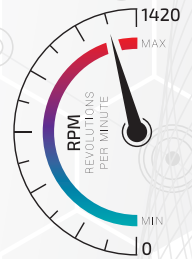


SIEVE SHAKER

Model: 266



FEATURES

- The Scientific laboratory sieve shaker and analytical test sieves are universally used for particle size analysis in QA laboratories, the method is simple, economical and interpretation of results is easy
- Manual 0 - 30 minute timer, cuts of power. Reset via on/off switch
- Compatible with Ø100 and Ø200 sieves
- RPM range from 0 to 1420

NOTE

- Catchment tray and lid included



ALL SCIENTIFIC EQUIPMENT COMES WITH A TWO YEAR WARRANTY ON COMPONENTS AND DEFECTIVE WORKMANSHIP - Ts & Cs APPLY.

www.scientific.co.za

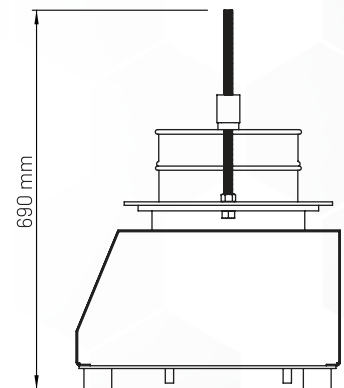
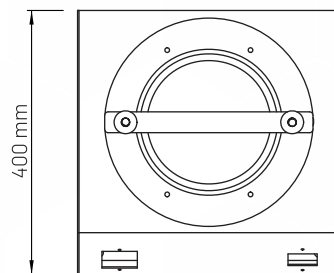
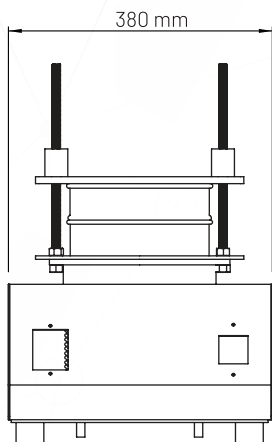


SIEVE SHAKER

Model: 266

SPECIFICATIONS

POWER	1250W
VOLTAGE	230V / 50Hz
PACKAGING (W x D x H)	450 x 530 x 500 (mm)
UNIT (W x D x H)	380 x 400 x 690 (mm)
NET WEIGHT	NA kg
GROSS WEIGHT	NA kg
SHIPPING VOLUME	0.12 m ³
NOISE LEVEL	<50dB
STROKE	5mm
RPM	1420
STANDARD SIEVE LAYERS	8
OUTPUT SIZE	0.025-3 mm
DIAMETER OF SIEVE	Ø100 and Ø200 (mm)



NOTE

- When viewing the appliance from the front in its usual operating position, the width (W) of the product is the total distance from left to right; the depth (D) of the product is the total distance from the front to the back; the height (H) is the total distance from the bottom of the product to the top. Pictures may vary from actual product.

DISCLAIMER

- Output performance figures quoted are dependent on various factors. Scientific reserves the right, without notice, to make changes and revisions to product specifications, materials and design, when we believe it will provide better performance, durability, and efficiency. Unit measurements may vary depending on point of reference.

WARRANTY

- All Scientific equipment comes with a standard ONE year warranty, The 1 Year Extended Warranty is only valid for customers who have registered their warranty online at www.scientific.co.za within the first year after making their purchase.