

10L FILTER PRESS

Model: 661



FEATURES

- Filter presses are used for de-watering slurry for the general investigation of the remnants
- 304 stainless steel barrel prevents rust
- 2 toggle clamps, clamping the drum down
- Barrel rotates 360°
- Easy lifting mechanisms on lid and rotates 360°
- Easy to lift barrel with heavy duty handle
- 5.5 bar safety valve



ALL SCIENTIFIC EQUIPMENT COMES WITH A TWO
YEAR WARRANTY ON COMPONENTS AND
DEFECTIVE WORKMANSHIP - Ts & Cs APPLY.

www.scientific.co.za

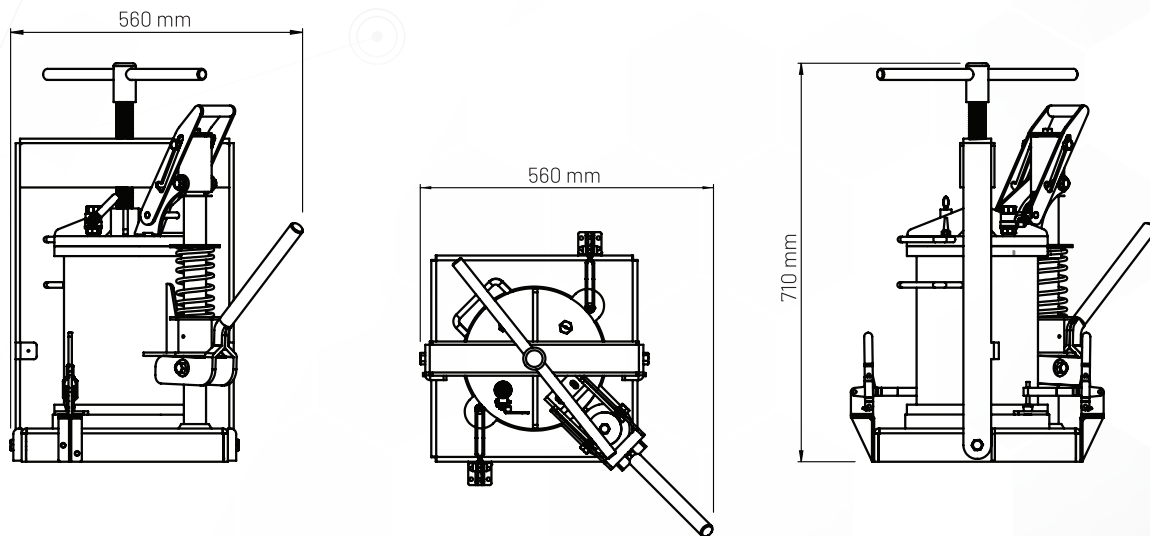


10L FILTER PRESS

Model: 661

SPECIFICATIONS

PACKAGING (W x D x H)	670 x 660 x 900 (mm)
UNIT (W x D x H)	560 x 560 x 710 (mm)
NET WEIGHT	53kg
GROSS WEIGHT	70kg
SHIPPING VOLUME	0.40m ³
INNER BARREL DIMENSIONS	300 x 210 (mm)
APPROX. VOLUME	10ℓ



NOTE

- When viewing the appliance from the front in its usual operating position, the width (W) of the product is the total distance from left to right; the depth (D) of the product is the total distance from the front to the back; the height (H) is the total distance from the bottom of the product to the top. Pictures may vary from actual product.

DISCLAIMER

- Output performance figures quoted are dependent on various factors. Scientific reserves the right, without notice, to make changes and revisions to product specifications, materials and design, when we believe it will provide better performance, durability, and efficiency. Unit measurements may vary depending on point of reference.

WARRANTY

- All Scientific equipment comes with a standard ONE year warranty, The 1 Year Extended Warranty is only valid for customers who have registered their warranty online at www.scientific.co.za within the first year after making their purchase.